

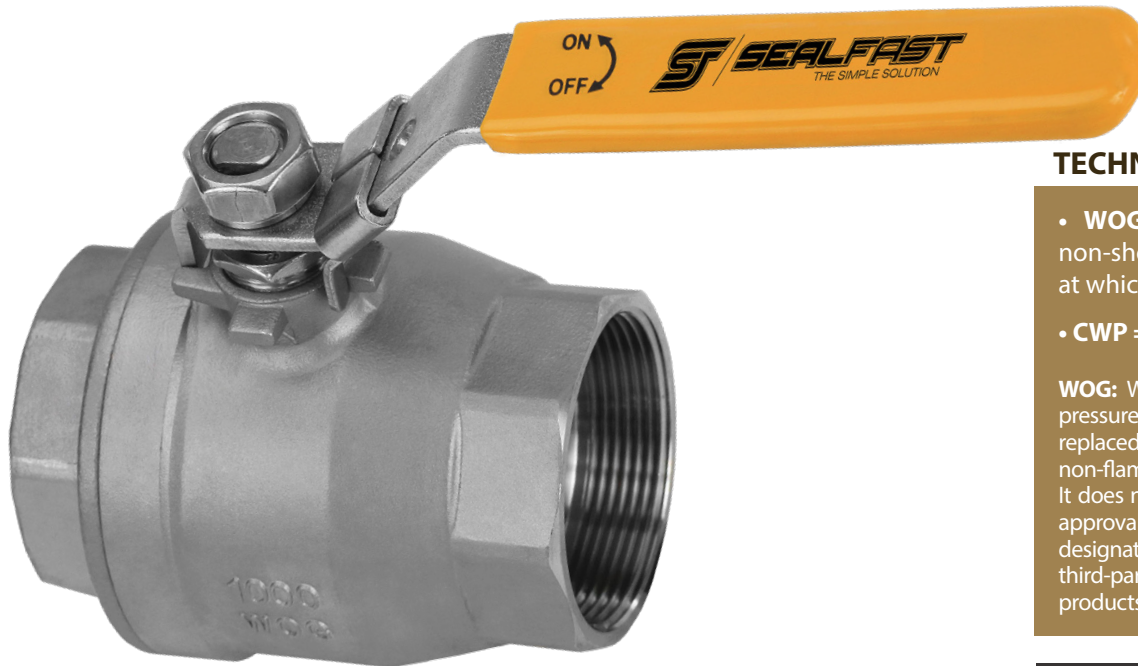


VALVES

**BALL - LOCKING HANDLE 316 SS
1000 WOG/CWP**

FEATURES & APPLICATIONS:

- Full Bore - 2 Piece
- 1000 WOG/CWP
- 316 SS - PTFE Seat
- Locking Handle
- Plumbing or heating projects, low pressure steam, compressed air, HVAC



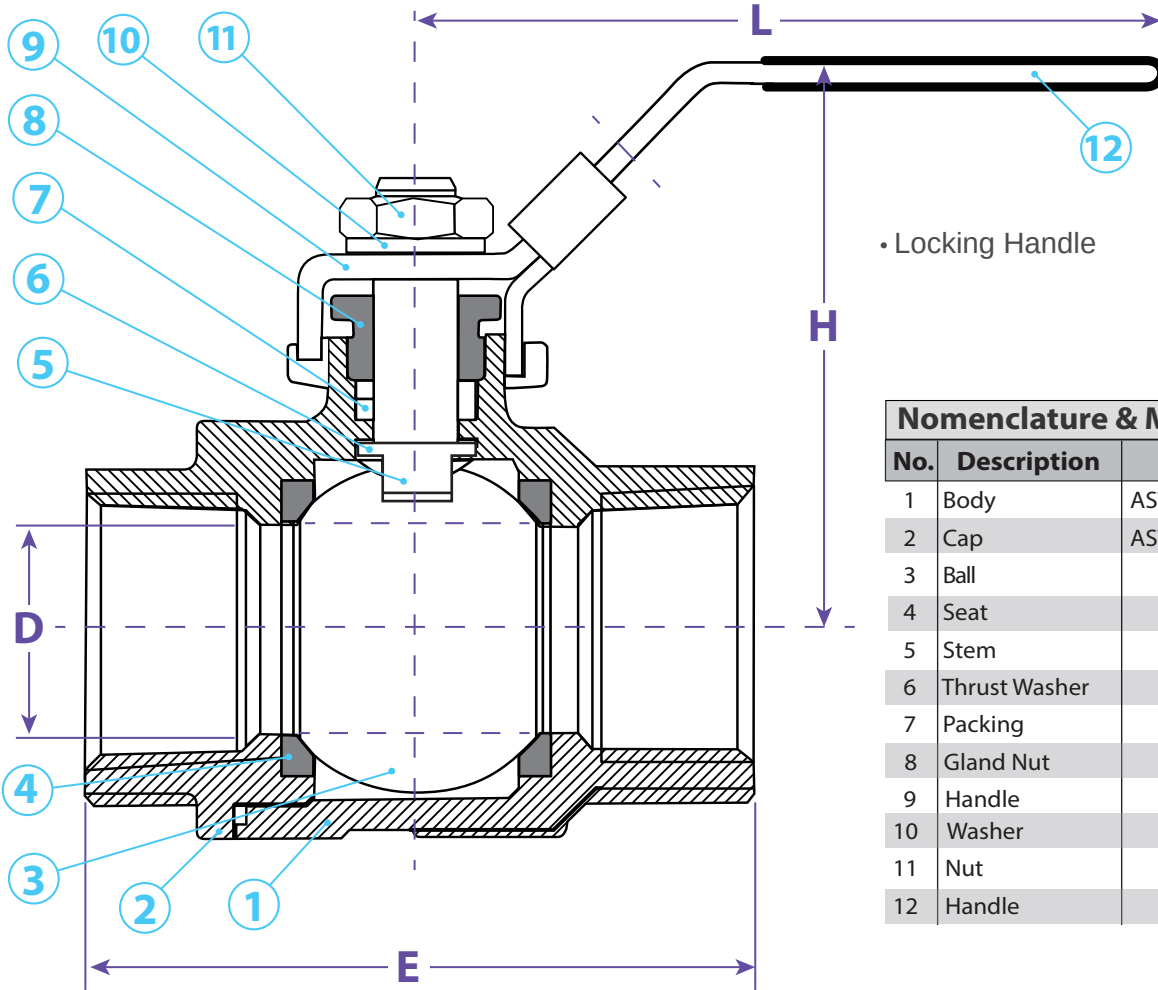
TECHNICAL DATA:

- **WOG** = Rating indicates the maximum non-shock pressure at ambient temperatures at which the valve may be used.
- **CWP** = Cold working pressure

WOG: Water, Oil & Gas: This was an older, generic pressure rating call-out which has been largely replaced by CWP. In this designation, "GAS" refers to any non-flammable, compressible fluid in a gaseous state. It does not imply a product's suitability or third-party approval for use with flammable gases. Similarly, in this designation, "Oil" does not imply a product's third-party approval for use with any petroleum products.

316 SS

Size	Part #
1/4"	SFV 025
3/8"	SFV 038
1/2"	SFV 050
3/4"	SFV 075
1"	SFV 100
1-1/4"	SFV 125
1-1/2"	SFV 150
2"	SFV 200
2-1/2"	SFV 250
3"	SFV 300
4"	SFV 400



• Locking Handle

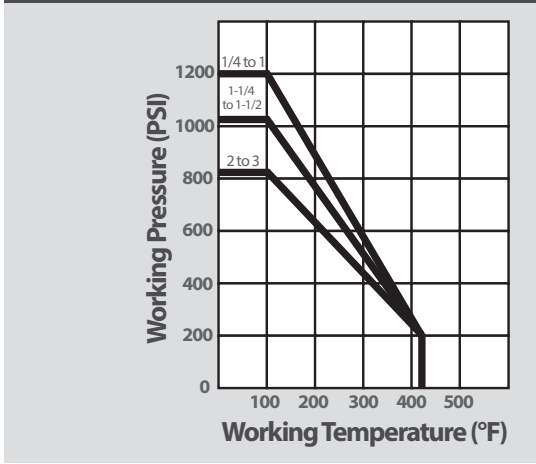
Nomenclature & Material

No.	Description	Material
1	Body	ASTM A351 CF8M
2	Cap	ASTM A351 CF8M
3	Ball	ANSI 316
4	Seat	R-PTFE
5	Stem	ANSI 316
6	Thrust Washer	PTFE
7	Packing	PTFE
8	Gland Nut	ANSI 304
9	Handle	ANSI 304
10	Washer	ANSI 304
11	Nut	ANSI 304
12	Handle	ANSI 304

Dimensions

Size	E	H	D	L	Part #
1/4"	2.42	1.89	.46	4.72	SFV 025
3/8"	2.42	1.89	.50	4.72	SFV 038
1/2"	2.49	1.93	.59	4.72	SFV 050
3/4"	3.02	2.17	.79	5.12	SFV 075
1"	3.58	2.72	.98	6.10	SFV 100
1-1/4"	3.94	3.03	1.26	6.10	SFV 125
1-1/2"	4.65	3.31	1.54	7.28	SFV 150
2"	5.41	3.66	2.00	7.28	SFV 200
2-1/2"	6.54	5.43	2.56	9.84	SFV 250
3"	7.60	6.10	3.15	11.02	SFV 300
4"	8.46	5.51	3.77	11.59	SFV 400

Temperature / Pressure Rating



TITLE BALL VALVE w/Locking Handle - 1000 WOG/CWP	
<p>DISCLAIMER All drawings and specifications are subject to change without notice. Drawings represent general dimensions of our products. Seal Fast Inc. cannot guarantee the dimensions will exactly match those in the drawing. The drawing is the property of Seal Fast Inc. Copying or reproduction of this drawing is expressly prohibited.</p>	<p>MATERIAL STAINLESS STEEL</p>
<p>DRAWING NOT TO SCALE</p>	<p>PART # SFV...</p>